

# Inductive Proximity Sensor LJ12A3

## Advantages:

- 1) Compact volume, Diversified exterior
- 2) High precision of repeated location
- 3) Good performance of anti-interference
- 4) High on-off frequency, Wide voltage range
- 5) Dust proof, vibration proof, water proof and oil proof
- 6) With short-circuit protection and inverted connecting protection

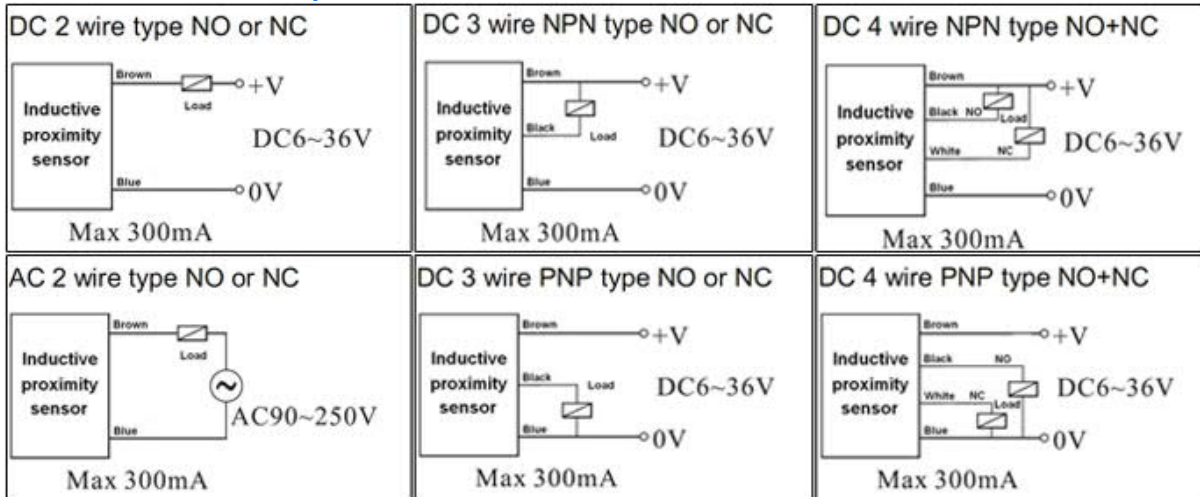


## Specification:

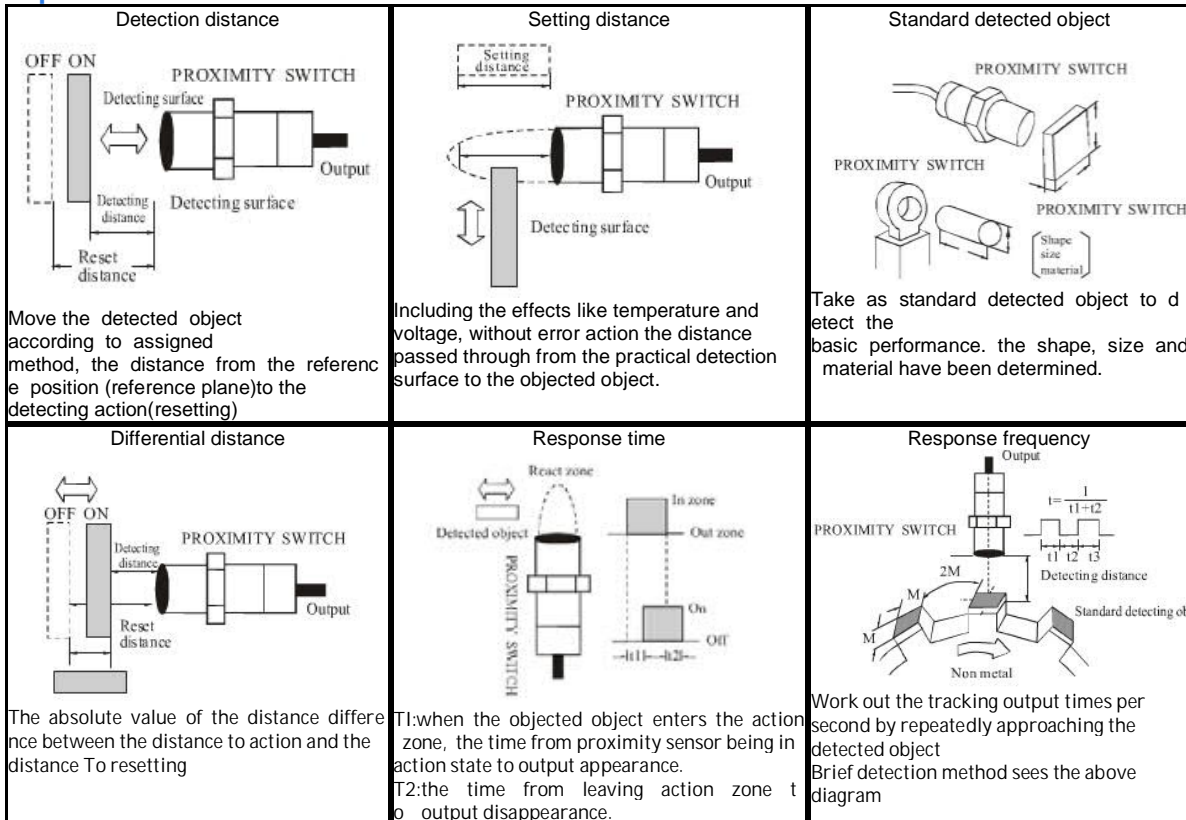
Dimension				
Flush	Detection distance		2mm	
	DC 6 ~ 36 V	NPN	NO	LJ12A3-2-Z/BX / LM12-3002NA
			NC	LJ12A3-2-Z/AX / LM12-3002NB
			NO+NC	LJ12A3-2-Z/CX / LM12-3002NC
		PNP	NO	LJ12A3-2-Z/BY / LM12-3002PA
			NC	LJ12A3-2-Z/ay / LM12-3002PB
			NO+NC	LJ12A3-2-Z/CY / LM12-3002PC
	two wire system		NO	LJ12A3-2-Z/EX / LM12-3002LA
			NC	LJ12A3-2-Z/DX / LM12-3002LB
	AC 90 ~250 V	SRC Control label silicon	NO	LJ12A3-2-J/EZ / LM12-2002A
NC			LJ12A3-2-J/DZ / LM12-2002B	
NO+NC				
Relay output				
Non-flush	Detection distance		4mm	
	DC 6 ~ 36 V	NPN	NO	LJ12A3-4-Z/BX / LM12-3004NA
			NC	LJ12A3-4-Z/AX / LM12-3004NB
			NO+NC	LJ12A3-4-Z/CX / LM12-3004NC
		PNP	NO	LJ12A3-4-Z/BY / LM12-3004PA
			NC	LJ12A3-4-Z/ay / LM12-3004PB
			NO+NC	LJ12A3-4-Z/CY / LM12-3004PC
	two wire system		NO	LJ12A3-4-Z/EX / LM12-3004LA
			NC	LJ12A3-4-Z/DX / LM12-3004LB
	AC 90 ~250 V	SRC Control label silicon	NO	LJ12A3-4-J/EZ / LM12-2004A
NC			LJ12A3-4-J/DZ / LM12-2004B	
NO+NC				
Relay output				
Control output	DC		200mA	
	SCR/Relay		300mA	

Output voltage drop DC/AC	DC<2V DC(Two wire system) <3.9V AC<10V
Consumption current	DC<15mA AC<10mA
Standard detected object	15×15×1(A3 iron)
Repeated precision	0.01
DC/AC Response frequency	400Hz/25Hz
Working environment temperature	-25°C~75°C
Insulation resistance	≥50MΩ
Shell material	Metal
Protection grade	IEC standard IP67
Alternative model at home and abroad	E2E-X5M□

### Series connection and parallel connection:

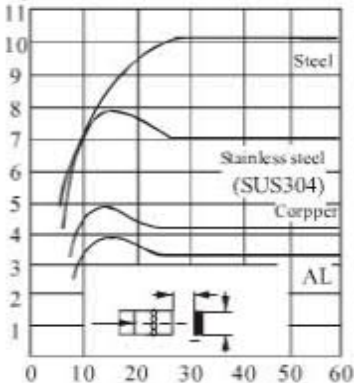
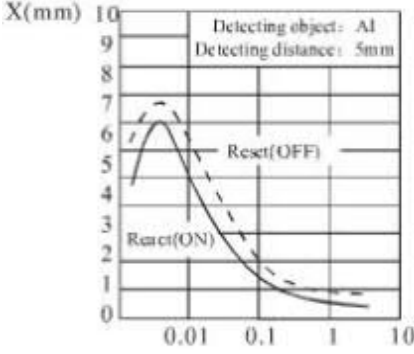
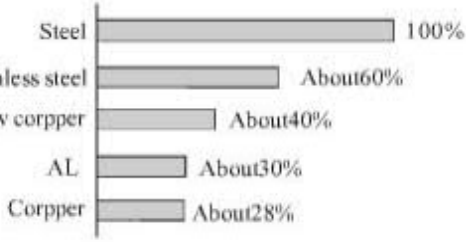


### Explanation of technical terms:



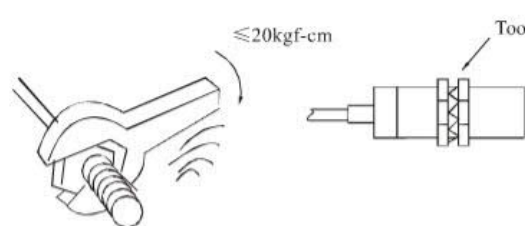
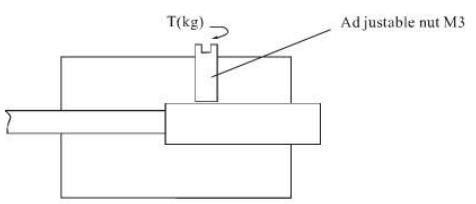
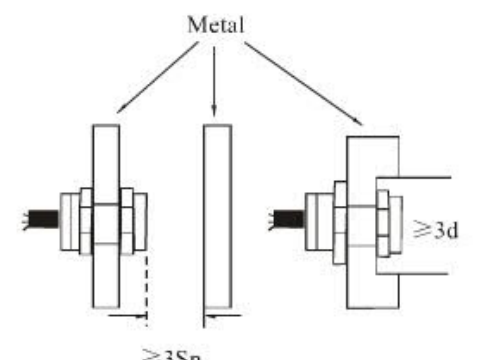
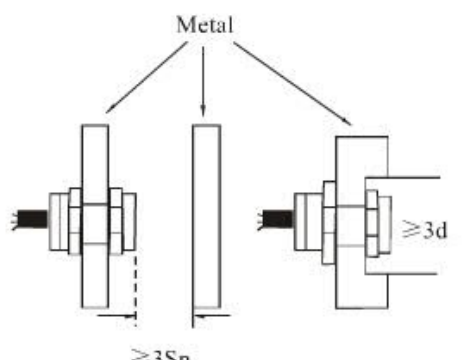
**Main features:**

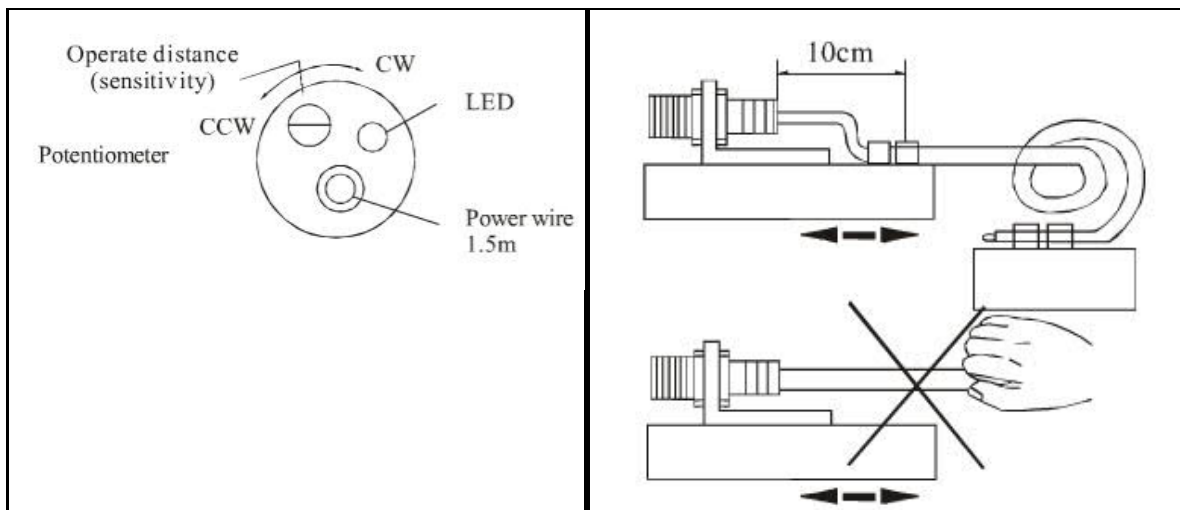
Take high frequency oscillation type proximity sensor(front detector)as representative example to briefly explain general features of proximity switch.

Item	Explanation	Features	
<p>The size of detected object and detection distance</p>	<p>If the detected object is square metal sheet with constant thickness (<math>t=1\text{mm}</math>), detect at detection distance X when change its side length dmm.</p> 	<p>When the detected object is bigger than standard detection distance is constant. According to different Machine type, sometimes the features will that mentioned on the left. To through type, the detection object is like cylinder metal bar</p>	<p>◆ About detected object When the material of detected object is non magnetic metal, the distance of action should descend. But when the foil material is approximately thicker than a.01mm,the detection distance will be the same as that of magnetic object If the film plating is extremely thin or non-conductive, detection cannot be conducted. The effect of cladding material take note of the changing of detection distance.</p>
<p>The thickness of detected object and detection distance</p>	<p>Detect at detection distance Xmm(front detector)when change the thickness of the assigned standard detected object 1mm.</p> 	<p>For more than 1mm thick magnetic metal like iron on the main, the detection distance will not change.</p>	<p>◆ About ambient weather In order to maintain reliable action and long service life, please avoid the(outdoor)occasion beyond the stipulated ambient temperature. Do not drench it with Water or water-soluble cutting lubricant when it is used with cover, although the proximity sensor is waterproof. Do not used in the occasions with chemical agents, especially strong base acid, nitric acid, hot strong sulfuric acid and so on.</p>
<p>The effects resulted from the Thickness of detected object and cladding material</p>	<p>Because the detection to standard detected object will be effected by its shape, size, material, and various cladding material, confirm through detection distance Xmm measurement.</p> 	<p>The effects resulted from detection distance and cladding material of the metal excluded iron will be different according to different machine type On the main, the machine type which detects all the metals will not be effected by cladding material.</p>	<p>◆ About maintenance and overhaul In order to keep the proximity sensor to work stably for long time, the following regular examinations should be performed just like general control. 1. Check the installation position of detected object and proximity sensor if any deviation, loosening or deformation exists. 2. Check the attached wires and connecting parts if any loosening bad contact or wire breaking off exists</p>

			<p>3. Check if there is any metallic powder accumulation or not</p> <p>4. Check if the temperature condition and surrounding environment condition are normal or not</p> <p>5. Check if the detection distance is normal or not</p>
--	--	--	---

**Correct use, installation and cautions:**

<p>◆ Mounting screw switch</p> <p>◆ Do not tighten with over-torque when mounting the switch. Adopt toothed washer when tightening</p> 	<p>◆ Mounting non screw type pillar switch</p> <p>◆ When adopt adjusting screw, the tightening torque should be within 2-4kgf-cm</p> 
<p>◆ Protection against the interference of non detected object</p> <p>◆ When mounting the proximity switch on the metal part, do refer to the following diagram. Remain a certain space in advance according to the shown diagram so as to prevent the switch from error action</p> 	<p>◆ Protection against mutual interference between switches</p> <p>◆ Mount according to the size which is bigger than that in the following diagram to prevent the switch from error action resulted from mutual interference if mount the switches contra-positively or in parallel</p> 
<p>◆ Adjustable switch action distance(sensitivity)</p> <p>◆ The action distance(sensitivity) of proximity switch can be adjusted by the means of trimming potentiometer. Increase the action distance and reduce sensitivity when turn clockwise. Vice versa. Do not use in the critical state of max. action distance.</p>	<p>◆ Guard of switch lead-wire</p> <p>◆ When mount switch, fix the lead-wire at a distance about 10cm from the switch with wire clip so as to prevent the switch lead-wire from damage from outer force</p>

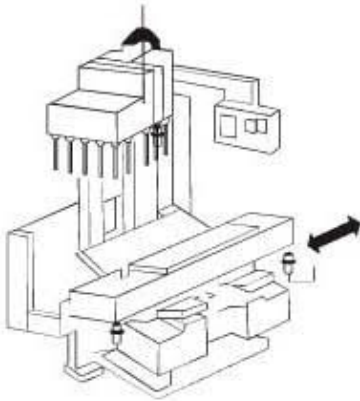


## ■ Cautions

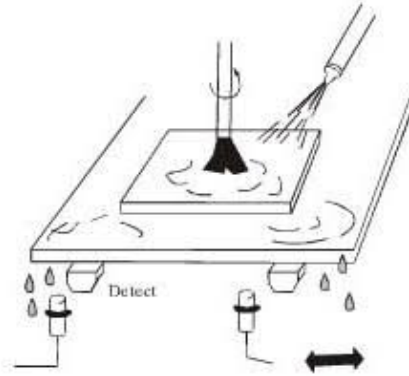
- ◆DC switch should adopt insulation transformer and ensure stable voltage mains corrugation.
- ◆IF any electric power line or dynamic line passes through the surrounding of switch lead-wire, in order to prevent the switch from damage or error action, cover the metal bushing on the switch lead-wire and ground it to the earth.
- ◆Set the switch use distance within the rated distance to avoid the effects from temperature and voltage
- ◆Wiring while power-on is strictly prohibited. Connecting the wires strictly according to the wiring diagram and output return elementary diagram.
- ◆If there are any special requirements to the switch like water proof, oil proof, acid proof, base proof, high temperature proof or with any other specifications, the users are required to give clear indication when placing an order. We can produce according to the requirements of the use.

Application illustration of proximity switch:

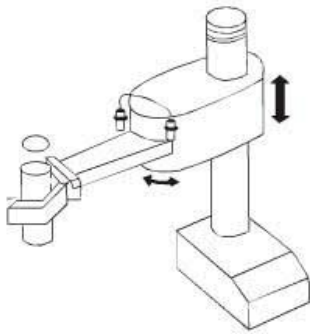
◆ Various location detection of machinery process center



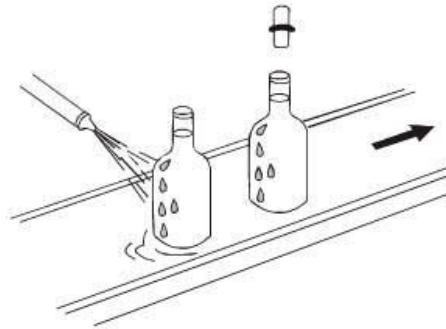
◆ Stopper detection of grinding machine



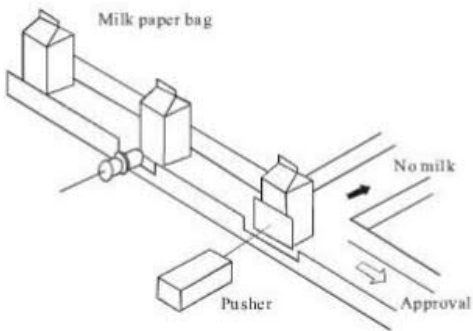
◆ Arm location detection of robot



◆ Bottle lid detection



◆ Inspection of the existing of milk inside the paper package



◆ Spacing detection

