



E01C-ML01S User Manual

Si24R1 2.4GHz SPI SMD Wireless Module



Chengdu Ebyte Electronic Technology Co.,Ltd.

CONTENTS

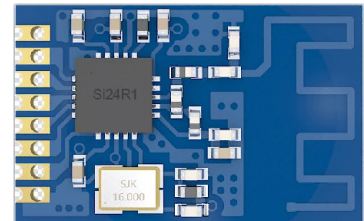
1. Overview	2
1.1 Brief introduction	2
1.2 Features	2
1.3 Application	2
2. Specification and parameter	4
2.1 Limit parameter	4
2.2 Operating parameter	4
3. Size and pin definition	5
4. Basic operation	6
4.1 Hardware design	6
4.2 Software editing	6
5. Circuit diagram	7
6. FAQ	7
6.1 Communication range is too short	7
6.2 Module is easy to damage	7
6.3 BER(Bit Error Rate) is high	7
7. Soldering guidance	7
7.1 Reflow soldering temperature	8
7.2 Reflow soldering curve	8
8. Packing method for bulk order	8
Revision history	9
About us	9

1. Overview

1.1 Brief introduction

E01C-ML01S is a small size SMD module based on Si24R1, operates at 2.4Ghz with PCB antenna, using industrial-grade high-precision 16MHz crystal oscillator. The RF performance of it and components selection during R&D are all in accordance with industrial grade standards.

The user needs to use the MCU driver or use a dedicated SPI debugging tool to develop E01C-ML01S.



1.2 Features

- Small size, 12x19mm;
- Communication distance tested is up to 300m;
- The maximum transmit power is 5mW, and the software is multi-level adjustable;
- Global license-free ISM 2.4GHz frequency band;
- 2Mbps, 1Mbps and 250kbps air rate;
- 125 communication channels to meet application requirements such as multipoint communication, grouping, and frequency hopping;
- Connect with MCU through SPI interface, the rate is 0~10Mbps;
- 2.0~3.6V power supply, power supply greater than 3.3V can guarantee the best performance;
- Industrial standard design for long-term use at -40~+85°C;
- Comes with PCB onboard antenna, no need for external antenna;
- Fully compatible with E01-ML01S in software, hardware and packaging.
- E01C-ML01S has obtained ROHS certification

1.3 Application

- Wearable device;
- Smart home and industrial sensors;
- Security system, positioning system;
- Wireless remote control, drone;
- Wireless game remote control;
- Healthcare products;
- Wireless voice, wireless headset;

- Automotive industry applications.

2. Specification and parameter

2.1 Limit parameter

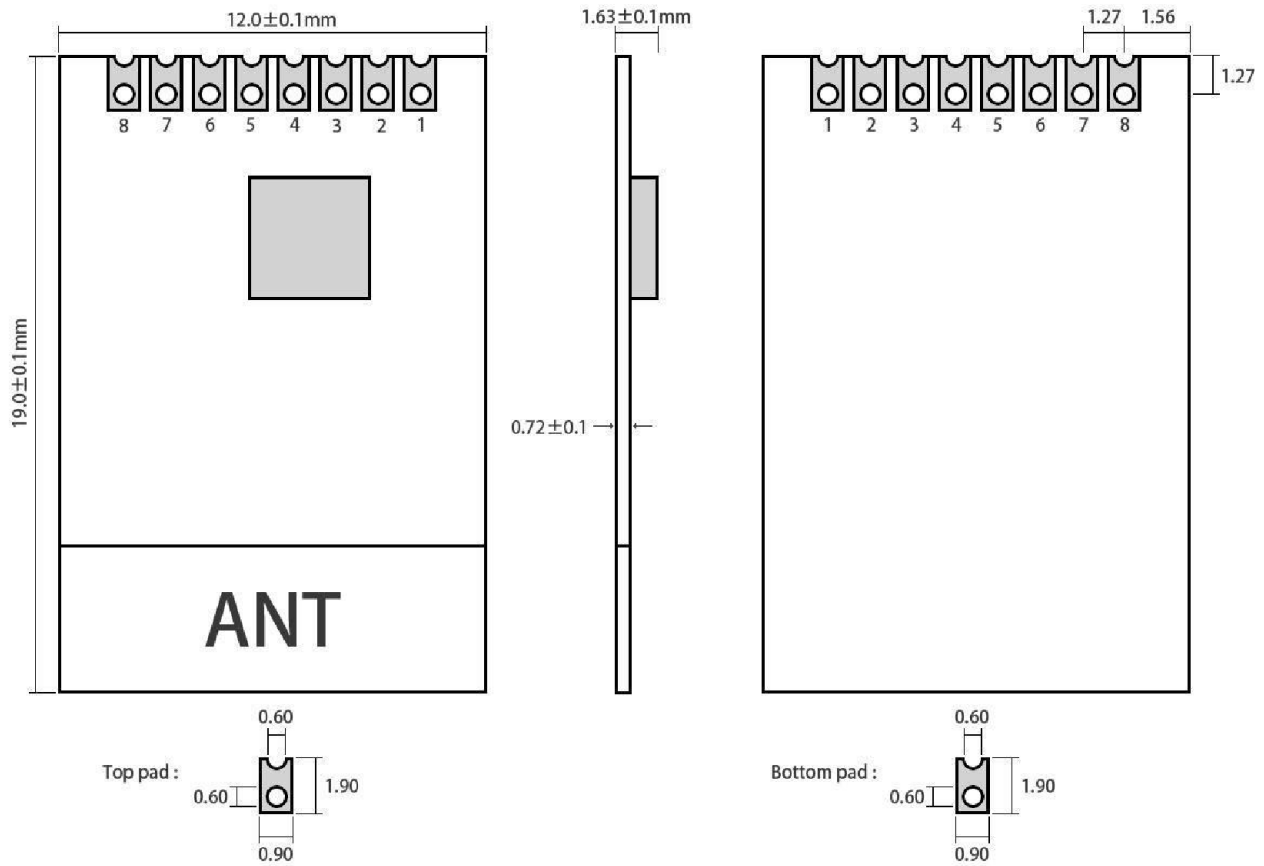
Main parameter	Performance		Remark
	Min.	Max.	
Power supply (V)	0	3.6	Voltage over 3.6V will cause permanent damage to module
Blocking power (dBm)	-	10	Chances of burn is slim when modules are used in short distance
Operating temperature (°C)	-40	85	

2.2 Operating parameter

Main parameter	Performance			Remark
	Min.	Typ.	Max.	
Operating voltage (V)	2.0	3.3	3.6	≥3.3V ensures output power
Communication level (V)		3.3		For 5V TTL, it may be at risk of burning down
Operating temperature (°C)	-40	-	+85	Industrial design
Operating frequency (MHz)	2.4	-	2.525	Support ISM band
Power consumption	Tx current	12		0dBm
	Rx current		15	
	Sleep current		0.7	Software is shut down
Max Tx power (dBm)	-	7	-	
Receiving sensitivity (dBm)	-	-83	-	Air data rate is 250kbps
Air data rate (bps)	250k	-	2M	Controlled via user's programming

Main parameter	Description	Remark
Distance for reference	300m	Test condition: clear and open area, antenna gain: 5dBi, antenna height: 2.5m, air data rate: 250kbps
FIFO	32Byte	Max length transmitted each time
Crystal frequency	16MHz	
Modulation	GFSK	
Package	SMD	
Connector	1.27mm	
Communication interface	SPI	0-10Mbps
Size	12 * 19mm	Without SMA
Antenna	PCB antenna	50ohm impedance

3. Size and pin definition



Pad quantity : 8
Unit: mm

Pin No.	Pin item	Pin direction	Pin application
1	VCC		Power supply must be 2.0 ~ 3.6V
2	CE	Input	Chip Enable
3	CSN	Input	SPI Chip select
4	SCK	Input	SPI clock
5	MOSI	Input	SPI master output slave input
6	MISO	Output	SPI master input slave output
7	IRQ	Output	Interrupt request.
8	GND		Ground

4. Basic operation

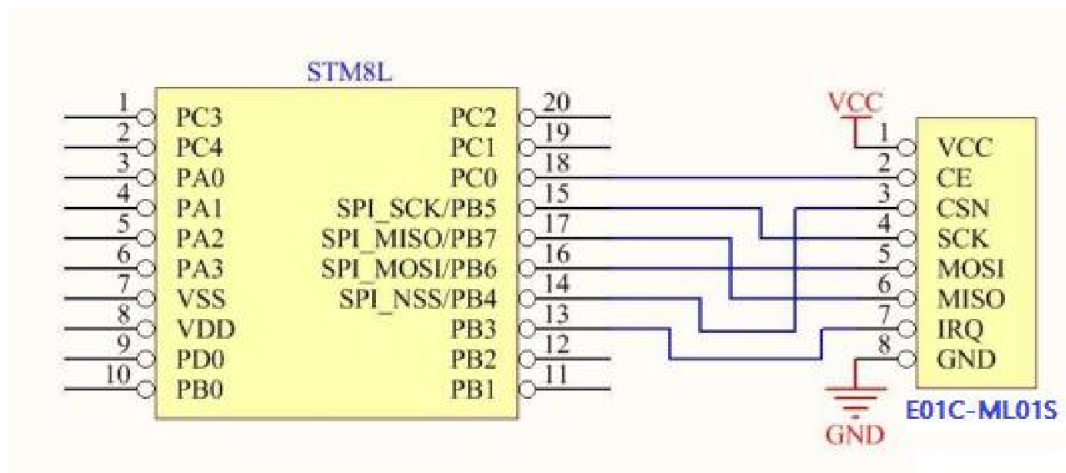
4.1 Hardware design

- It is recommended to use a DC stabilized power supply. The power supply ripple factor is as small as possible, and the module needs to be reliably grounded;
- Please pay attention to the correct connection of the positive and negative poles of the power supply. Reverse connection may cause permanent damage to the module;
- Please check the power supply to ensure it is within the recommended voltage otherwise when it exceeds the maximum value the module will be permanently damaged;
- Please check the stability of the power supply, the voltage can not be fluctuated frequently;
- When designing the power supply circuit for the module, it is often recommended to reserve more than 30% of the margin, so the whole machine is beneficial for long-term stable operation;
- The module should be as far away as possible from the power supply, transformers, high-frequency wiring and other parts with large electromagnetic interference;
- High-frequency digital routing, high-frequency analog routing, and power routing must be avoided under the module. If it is necessary to pass through the module, assume that the module is soldered to the Top Layer, and the copper is spread on the Top Layer of the module contact part(well grounded), it must be close to the digital part of the module and routed in the Bottom Layer;
- Assuming the module is soldered or placed over the Top Layer, it is wrong to randomly route over the Bottom Layer or other layers, which will affect the module's spurs and receiving sensitivity to varying degrees;
- It is assumed that there are devices with large electromagnetic interference around the module that will greatly affect the performance. It is recommended to keep them away from the module according to the strength of the interference. If necessary, appropriate isolation and shielding can be done;
- Assume that there are traces with large electromagnetic interference (high-frequency digital, high-frequency analog, power traces) around the module that will greatly affect the performance of the module. It is recommended to stay away from the module according to the strength of the interference. If necessary, appropriate isolation and shielding can be done.
- If the communication line uses a 5V level, a 1k-5.1k resistor must be connected in series (not recommended, there is still a risk of damage);
- Try to stay away from some physical layers such as TTL protocol at 2.4GHz , for example: USB3.0;
- The mounting structure of antenna has a great influence on the performance of the module. It is necessary to ensure that the antenna is exposed, preferably vertically upward. When the module is mounted inside the case, use a good antenna extension cable to extend the antenna to the outside;
- The antenna must not be installed inside the metal case, which will cause the transmission distance to be greatly weakened.
- Conductors or other sources of interference should be avoided around the onboard PCB antenna.

4.2 Software editing

- Insert the module into the user circuit board, use the microcontroller to communicate with the module by SPI or serial port, and operate the control register and the transceiver buffer through the SPI command to complete the wireless data transmit and receive function.
- As interrupt pin for IRQ, it can be used to wake-up MCU and achieve fast response; But the user can get the interrupt status through SPI (not recommended, it is not conducive to the overall power consumption, and with low efficiency) ;
- CE pin can be high level for long-term, but it needs to set as POWER DOWN mode when the module writes registers, and it is recommended that CE is controlled by MCU pin;

5 Circuit diagram



6. FAQ

6.1 Communication range is too short

- The communication distance will be affected when obstacle exists.
- Data lose rate will be affected by temperature, humidity and co-channel interference.
- The ground will absorb and reflect wireless radio wave, so the performance will be poor when testing near ground.
- Sea water has great ability in absorbing wireless radio wave, so performance will be poor when testing near the sea.
- The signal will be affected when the antenna is near metal object or put in a metal case.
- Power register was set incorrectly, air data rate is set as too high (the higher the air data rate, the shorter the distance).
- The power supply low voltage under room temperature is lower than 2.5V, the lower the voltage, the lower the transmitting power.
- Due to antenna quality or poor matching between antenna and module.

6.2 Module is easy to damage

- Please check the power supply source, ensure it is 2.0V~3.6V, voltage higher than 3.6V will damage the module.
- Please check the stability of power source, the voltage cannot fluctuate too much.
- Please make sure antistatic measure are taken when installing and using, high frequency devices have electrostatic susceptibility.
- Please ensure the humidity is within limited range, some parts are sensitive to humidity.
- Please avoid using modules under too high or too low temperature.

6.3 BER(Bit Error Rate) is high

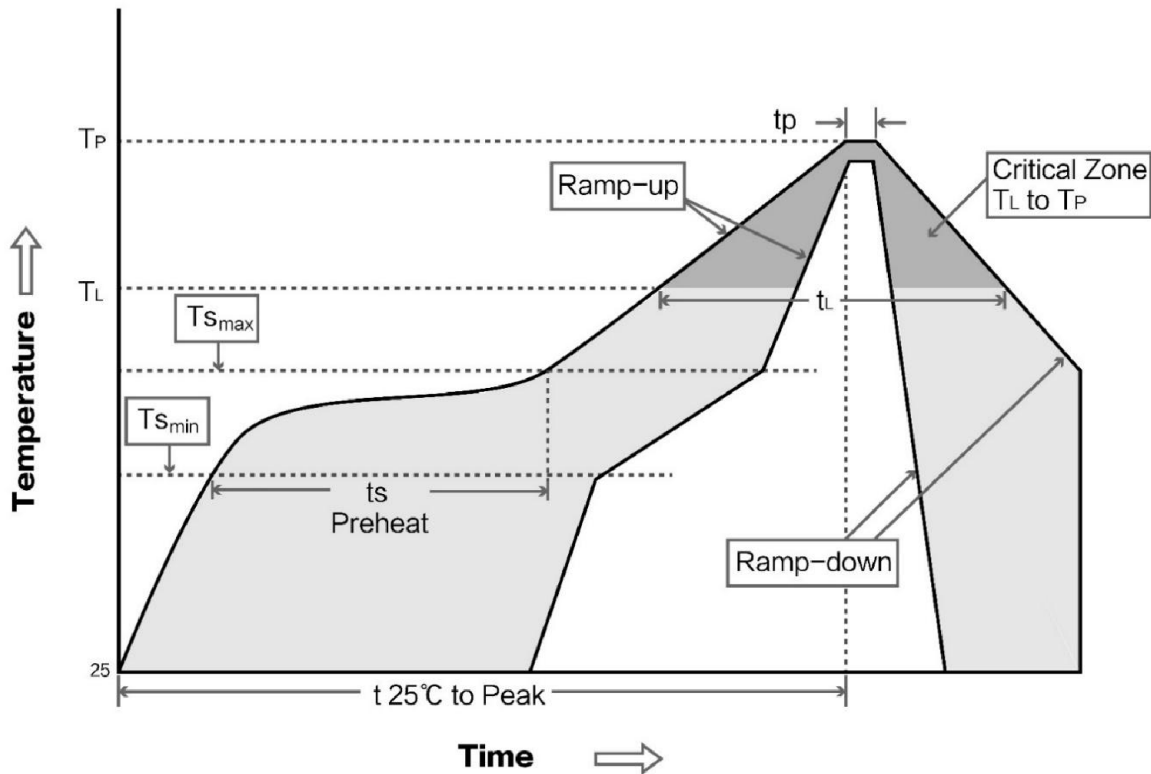
- There are co-channel signal interference nearby, please be away from interference sources or modify frequency and channel to avoid interference;
- Poor power supply may cause messy code. Make sure that the power supply is reliable.
- The extension line and feeder quality are poor or too long, so the bit error rate is high;

7.Soldering guidance

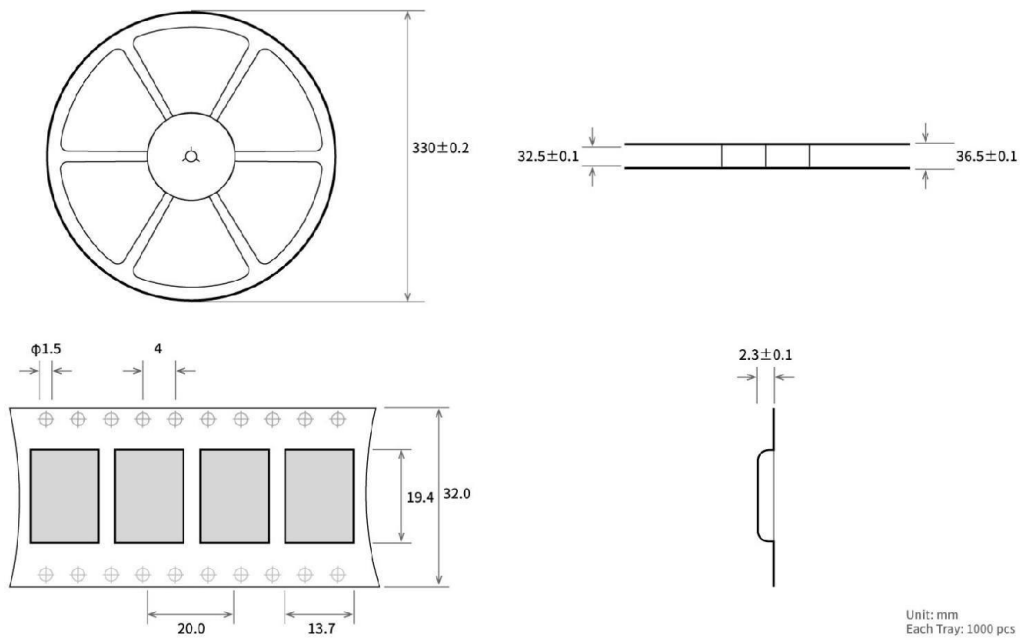
7.1 Reflow soldering temperature

Profile Feature	Curve characteristics	Sn-Pb Assembly	Pb-Free Assembly
Solder Paste	Solder paste	Sn63/Pb37	Sn96.5/Ag3/Cu0.5
Preheat Temperature min (T _{smin})	Min preheating temp.	100°C	150°C
Preheat temperature max (T _{smax})	Mx preheating temp.	150°C	200°C
Preheat Time (T _{smin} to T _{smax})(t _s)	Preheating time	60-120 sec	60-120 sec
Average ramp-up rate(T _{smax} to T _p)	Average ramp-up rate	3°C/second max	3°C/second max
Liquidous Temperature (T _L)	Liquid phase temp.	183°C	217°C
Time (t _L) Maintained Above (T _L)	Time below liquid phase line	60-90 sec	30-90 sec
Peak temperature (T _p)	Peak temp.	220-235°C	230-250°C
Average ramp-down rate (T _p to T _{smax})	Average ramp-down rate	6°C/second max	6°C/second max
Time 25°C to peak temperature	Time to peak temperature for 25°C	6 minutes max	8 minutes max

7.2 Reflow soldering curve



8 Packing method for bulk order



Unit: mm
Each Tray: 1000 pcs

Revision history

Version	Date	Description	Issued by
1.0	2020-06-19	Original version	Ren
1.1	2020-06-29	Format updated	Ren
1.2	2020-07-24		Ren
1.3	2022-5-23	Bug fixes	Yan

About us

Technical support: support@cdebyte.com

Documents and RF Setting download link: www.ebyte.com

Thank you for using Ebyte products! Please contact us with any questions or suggestions: info@cdebyte.com

Official hotline:028-61399028

Web: www.ebyte.com

Address: B5 Mould Park, 199# Xiqu Ave, High-tech District, Sichuan, China



Chengdu Ebyte Electronic Technology Co.,Ltd.